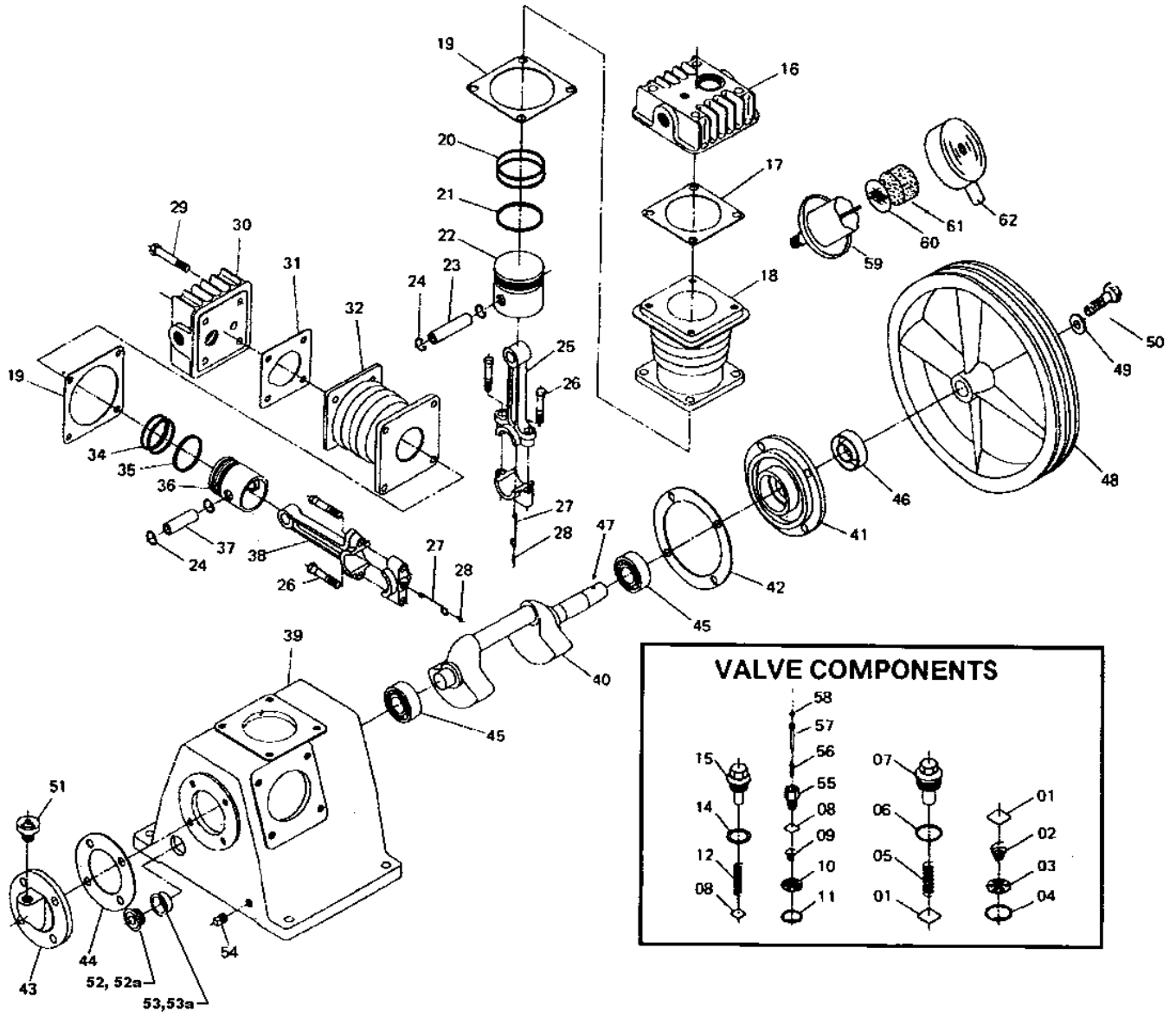


AIR COOLED TWO STAGE MODELS E-11 & E-23



● **_____**

● **_____**

● **_____**
