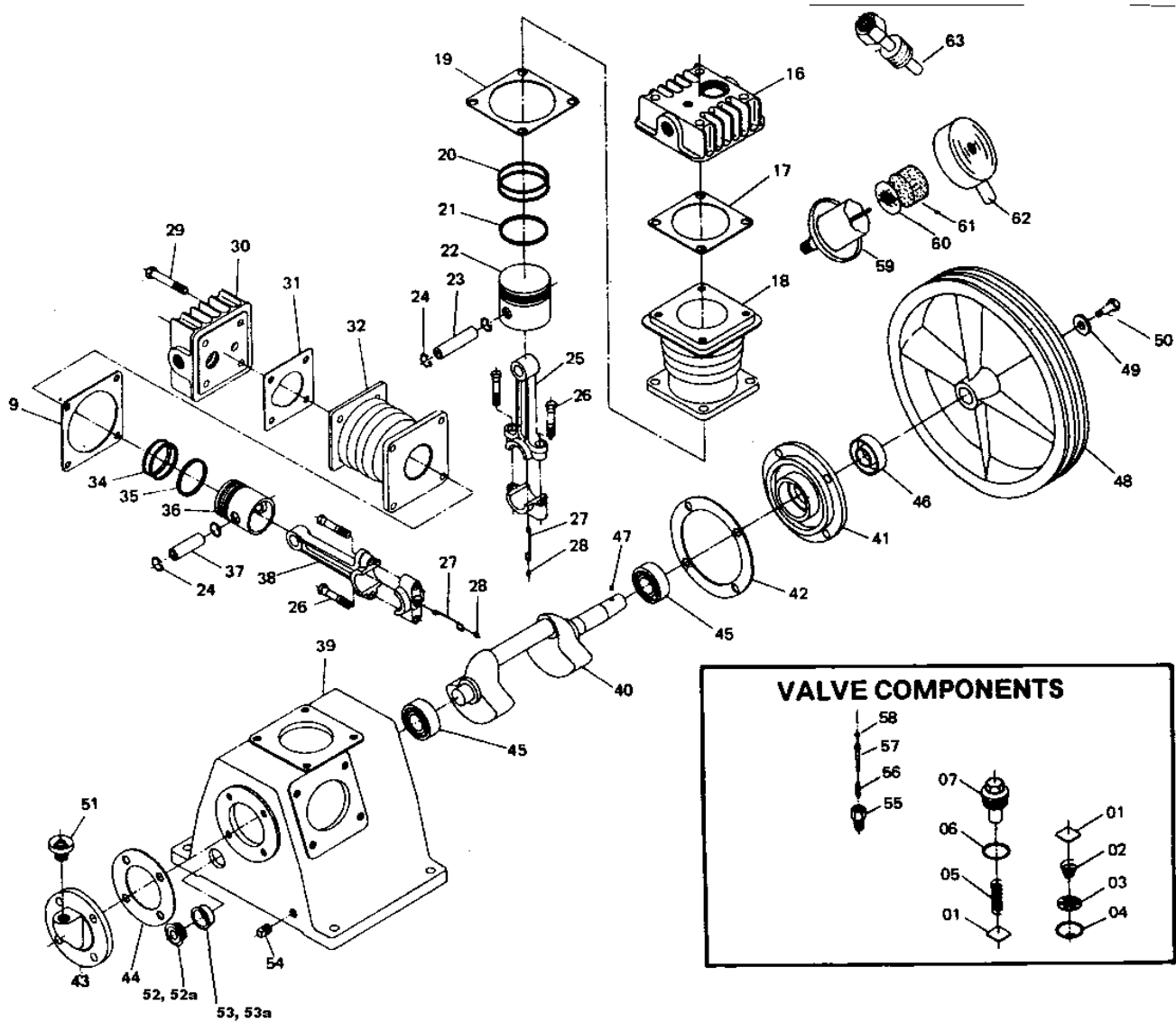


AIR COOLED, SINGLE STAGE MODELS

ES-05, ES-10 & ES-20



MAIN PARTS LISTING FOR SINGLE STAGE MODELS ES-05, ES-10 & ES-20

VALVES		QTY REQ'D	MODEL ES05	QTY REQ'D	MODEL ES10	QTY REQ'D	MODEL ES20
1.	Inlet And Outlet Valve Plate	2	70112-31030	4	70112-31030	6	70112-31030
2.	Inlet Valve Spring	1	70112-31070	2	70112-31070	3	70112-31070
3.	Inlet Valve Receiver	1	70112-31020	2	70112-31020	3	70112-31020
4.	Inlet Valve Snap Ring	1	93610-130232	2	93610-130232	3	93610-130232
5.	Outlet Valve Spring	1	70112-41070	2	70112-41070	3	70112-41070
6.	Outlet Valve Push Cover Gasket	1	70112-11461	2	70112-11461	3	70112-11461
7.	Outlet Valve Push Cover	1	70112-11450	2	70112-11450	3	70112-11450
CYLINDER AND CYLINDER HEADS							
16A.	Cylinder Head Assembly	1	70112-11000-4024	2	70112-11000-4024	3	70112-11000-4024
16B.	Cylinder Head	1	70112-11010	2	70112-11010	3	70112-11010
17.	Cylinder & Head Gasket	1	70112-11612	2	70112-11612	3	70112-11612
18.	Cylinder	1	70112-51010	2	70112-51010	3	70112-51010
19.	Cylinder And Case Gasket	1	70112-51610	2	70112-51610	3	70112-51610
20.	Compression Ring	2	70112-61030	4	70112-61030	6	70112-61030
21.	Oil Control Ring	1	70112-61050	2	70112-61050	3	70112-61050
22.	Piston	1	70112-61011	2	70112-61011	3	70112-61011
23.	Piston Pin	1	70112-61120	2	70112-61120	3	70112-61120
24.	Piston Pin Snap Ring	2	70112-61070	4	70112-61070	6	70112-61070
25.	Connecting Rod Assembly	1	70112-61200-1	2	70112-61200-1	3	70112-61200-1
26.	Connecting Rod Bolt	1	70112-61250	4	70112-61250	6	70112-61250
27.	Oil Splash Dipper	1	70111-61282	2	70122-61282	2	70122-61282
27A.	Oil Splash Dipper					1	70132-61290
28.	Oil Splash Dipper Bolts	1	91507-2304010	2	91507-2304010	3	91507-2304010
29.	Cylinder Head Bolt	4	(Hardware Item)	8	(Hardware Item)	12	(Hardware Item)
CRANK ASSEMBLY							
39.	Crankcase	1	70112-57010-4024	1	70122-57010-4024	1	70132-57010-4024
40.	Crankshaft	1	70112-56010	1	70122-56010	1	70132-56010
41.	Front Bearing Cover	1	70112-57030	1	70122-57030	1	70122-57030
42.	Front Bearing Cover Gasket	1	70112-57950	1	70122-57950	1	70122-57950
43.	Rear Bearing Cover	1	70112-57060	1	70122-57060	1	70122-57060
44.	Rear Bearing Cover Gasket	1	70112-57960	1	70122-57960	1	70122-57960
45A.	Bearing – Front	1	93501-6205	1	93501-6205	1	93501-6205
45B.	Bearing – Rear	1	93501-6204	1	93501-6204	1	93501-6204
46.	Front Oil Seal	1	70112-57080	1	70122-57080	1	70122-57080
47.	V-Pulley Pin	1	70112-56060	1	70112-56060	1	70112-56060
48.	Compressor Pulley	1	70112-76010	1	70122-76011	1	70122-76011
49.	Compressor Pulley Thrust Washer	1	70112-76210	1	70112-76210	1	70112-76210
50.	Compressor Pulley Thrust Bolt	1	91501-1308025	1	91501-1308025	1	91501-1308025
51.	Breather Assembly	1	CCC1375	1	CCC1375	1	CCC1375
52.	Oil Gauge & Gauge Cover	1	70111-57700	1	70111-57700	1	70111-57700
52 *A	Oil Level Gauge Assembly		-	1	70704-57700	1	70704-57700
53.	Gauge Cover Seal	1	70111-57730	1	70111-57730	1	70111-57730
53 *A	Oil Level Gauge "O" Ring		-	1	93602-8126026	1	93602-8126026
54.	Crankcase Oil Plug	1	90112-100202	1	90112-100202	1	90112-100202
54A.	Oil fill cap		-		-	1	70101-57190-4010
54B.	"O" Ring		-		-	1	93601-810016
UNLOADERS							
55.	Auto – Unloader Assembly	1	70112-11201	2	70112-11201	3	70112-11201
56.	Auto – Unloader Spring	1	70112-11230	2	70112-11230	3	70112-11230
57.	Auto – Unloader Piston	1	70112-11221	2	70112-11221	3	70112-11221
58.	O-Ring (Unloader)	1	93601-810004	2	93601-810004	3	93601-810004
AIR STRAINER							
61.	Air Strainer Element	1	70111-66140	2	70111-66140	3	70111-66140
62.	Air Strainer Assembly	1	70111-66001	2	70111-66001	3	70111-66001
63.	Discharge Piping Assembly	1	(Not Required)	2	70122-87100	2	70132-87100
64.	Outlet Pipe Joint A		-	1	70122-87010	1	70122-87010
65.	Outlet Pipe Joint B		-	1	70122-87020	1	70132-87020
66.	Outlet Pipe Joint C		-		-	1	70132-87030

- ES10, START S/N AS 4030043
- ES20, START S/N AS 4030061