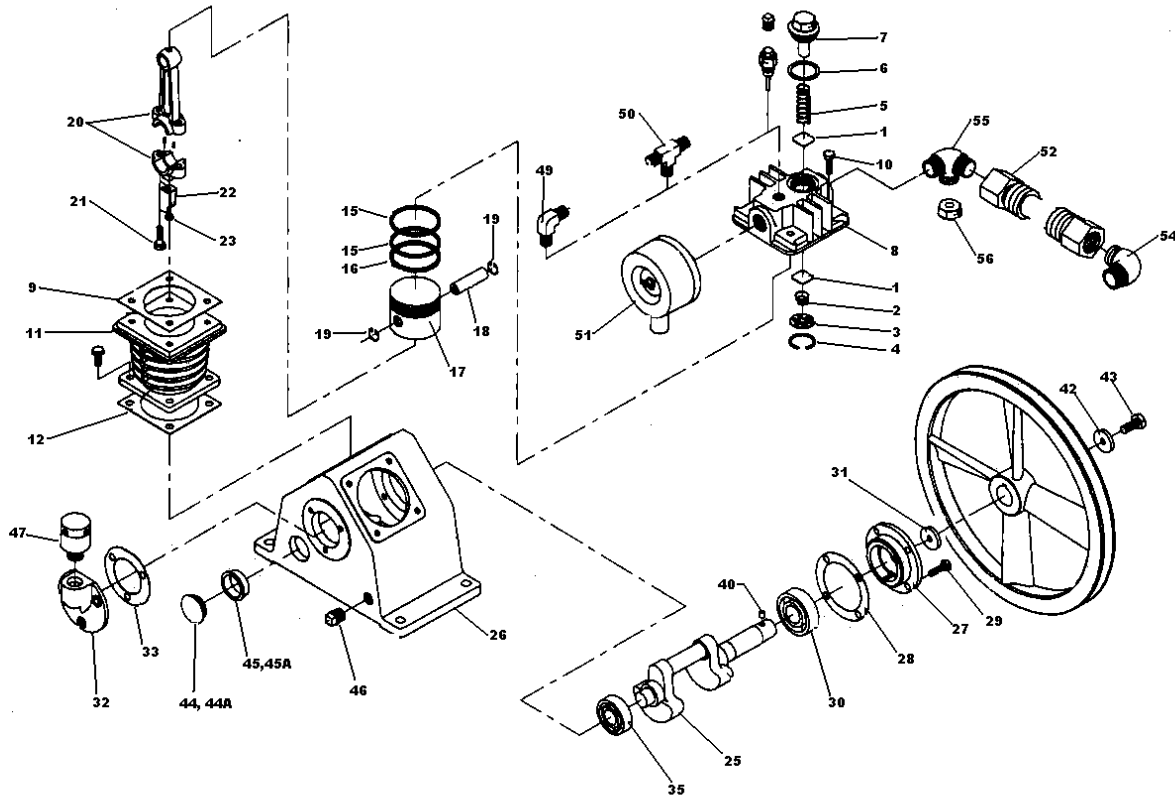


MODEL ES-06 AIR COOLED, SINGLE STAGE, SINGLE CYLINDER



DESCRIPTION	QTY	PART NO.	DESCRIPTION	QTY	PART NO.
VALVES					
1. Inlet And Outlet Valve Plate	4	70111-31030	28 Front Bearing Cover Gasket	1	70121-57950
2. Inlet Valve Spring	2	70111-31070	29 Front Bearing Cover Bolt	4	91501-1306016
3. Inlet Valve Receiver	2	70111-31020	30 Front Bearing #6204	1	93501-6204
4. Inlet Valve Snap Ring	2	93610-130225	32 Rear Bearing Cover	1	70111-57060
5. Outlet Valve Spring	2	70111-41070	33 Rear Bearing Cover Gasket	1	70111-57960
6. Outlet Valve Push Cover Gasket	2	70111-11461	34 Rear Bearing Cover Bolt (Not Shown)	3	91501-1306016
7. Outlet Valve Push Cover	2	70111-11450	35 Rear Bearing #6203	1	93501-6203
			36 Crankcase Bottom Cover (Not Shown)	1	70121-57220
			37 Crankcase Bottom Cover Bolt (Not Shown)	1	70121-57970
			38 Crankcase Bottom Cover Washer (Not Shown)	4	(Hardware Item)
CYLINDERS, CRANKCASE AND CRANK ASSEMBLY					
8a. Cylinder Head Assy. (Includes Valves)	2	70111-11000-4024	39 Front & Rear Cover Bolt Washer (Not Shown)	10	92521-190600
8b. Cylinder Head (Bare Casting)	2	70111-11010	40 Compressor Pulley Pin	1	70112-56060
9. Cylinder Head Gasket	2	70111-11612	41 Compressor Pulley	1	70121-76011
10. Cylinder Head Bolt	8	91501-1306055	42 Compressor Pulley Thrust Washer	1	70112-76210
11. Cylinder	2	70121-51010	43 Compressor Pulley Thrust Bolt	1	91501-1306025
12. Cylinder To Case Gasket	2	70121-51610	44 Oil Level Gauge & Gauge Cover	1	70111-57700
13. Cylinder To Case Bolt (Not Shown)	8	91501-1306016	*44A Oil Level Gauge Assy	1	70704-57700
14. Cylinder To Case Bolt Washer (Not Shown)	16	92521-190600	45 Oil Level Gauge Cover Seal	1	70111-57730
15. Compression Ring	4	70111-61030	*45A Oil Level Gauge "O" Ring	1	93602-8126026
16. Oil Control Ring	2	70111-61050	46 Crankcase Oil Plug (1/4" NPT)	1	90112-100202
17. Piston	2	70111-61011	47 Breather Assembly	1	CCC1357
18. Piston Pin	2	70111-61120	UNLOADERS(* Indicates Not Included On Basic Units)		
19. Piston Pin Snap Ring	4	70111-61070	48 Auto - Unloader Assembly	2	70112-11201
20. Connecting Rod Assembly	2	70111-61200	49 Unloading Elbow* (Includes Nut & Sleeve)	1	VA786
21. Connecting Rod Bolt	4	(Furnished On Conn. Rod Only)	50 Unloading Tee* (Includes Nut & Sleeve)	1	VA787
22. Oil Splash Dipper	2	70121-61282	AIR STRAINER ASSEMBLY & DISCHARGE PIPING		
23. Oil Splash Dipper Bolt	2	91507-2304010	51 Air Strainer Assembly	2	70111-66001
24. Oil Splash Dipper Lockwasher (Not Shown)	2	92522-130400	52 Air Strainer Element (Not Shown)	2	70111-66140
25. Crankshaft	1	70121-56010	53 Compressor Body Discharge Pipe Assembly	1	70121-87100
26. Crankcase	1	70121-57010-4024	54 Outlet Pipe Elbow	1	70121-87010
27. Front Bearing Cover	1	70121-57030	55 Outlet Pipe Tee	1	70121-87020
			56 Outlet Pipe Tee Nut	1	79922-130404

* START S/N AS 4030001